

F

E

D

C

B

A

4

3

2

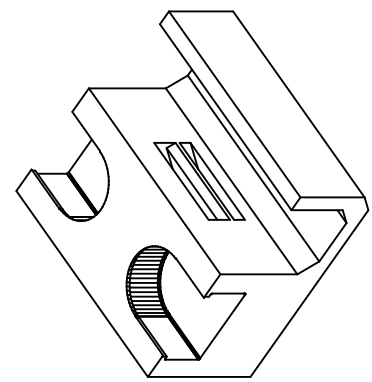
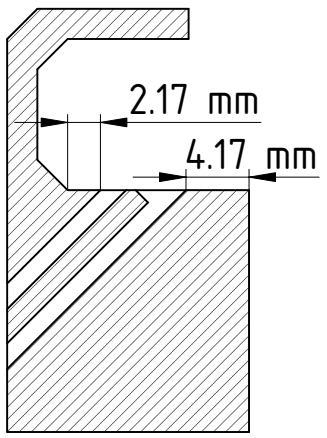
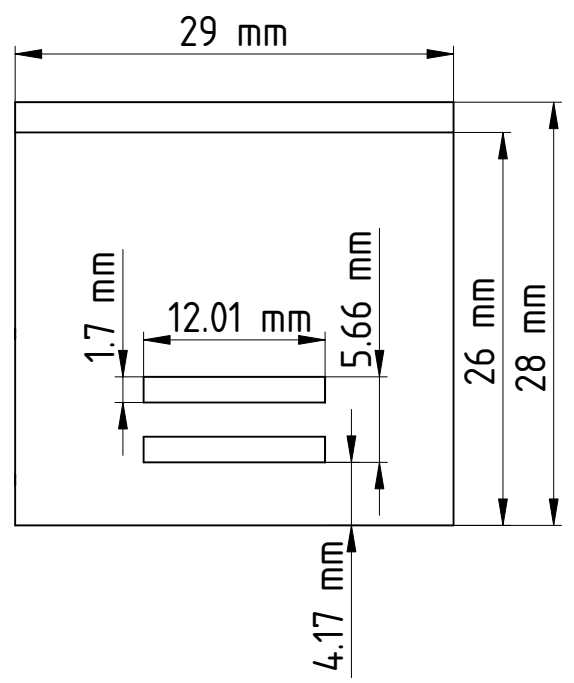
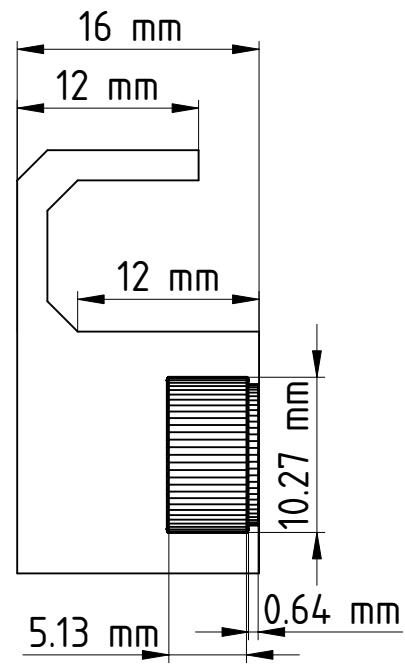
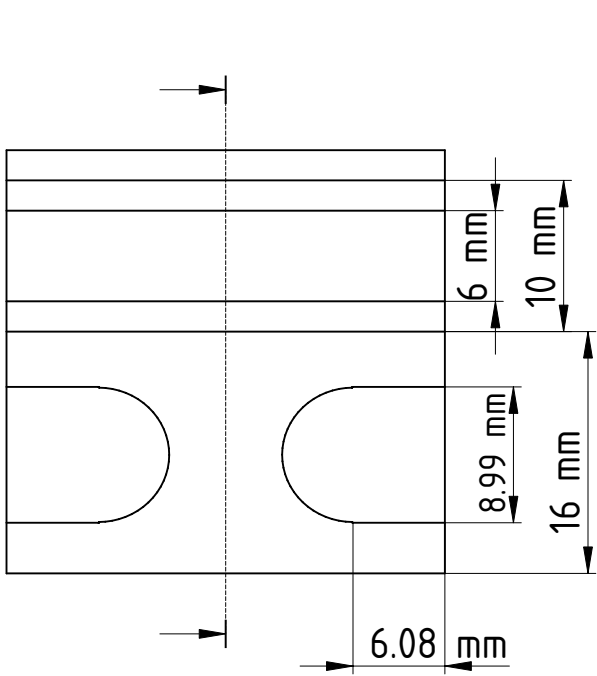
1

4

3

2

1



DESIGNED BY: Jesse Fry		Tactical Lockdown Mechanism		G	—
DATE: 12 May 2024		TLM_PBRs1 Version 1		F	—
SIZE A4		TAC-LOCK.COM		E	—
SCALE N/A	WEIGHT (kg) N/A	DRAWING NUMBER TLM_PBRs1V1_001	SHEET 1 of 1	D	—
This drawing is our property; it can't be reproduced or communicated without our written consent.				C	—
				B	—
				A	—

F

E

D